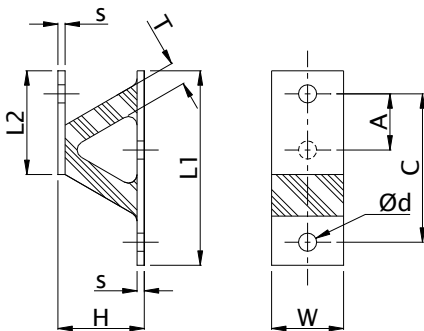


Device Mountings

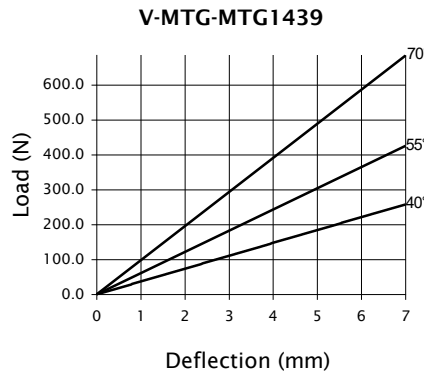
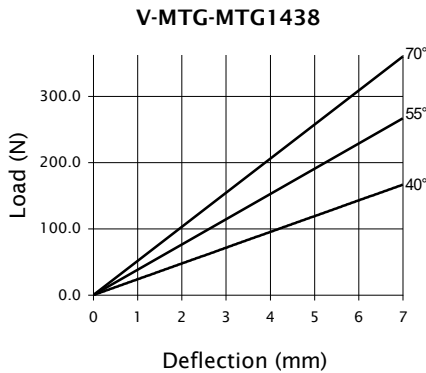
A range of sizes is available from existing tooling, with some held in stock. Parts may be subject to minimum order quantities. They are generally used in compression though some styles can be used in shear.

Dimensions

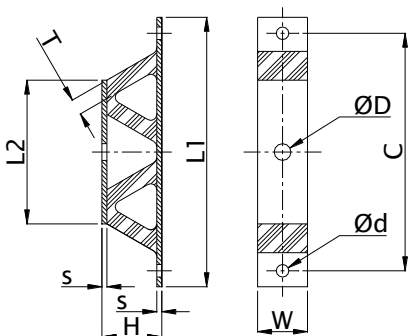


Part No.	L1 (mm)	H (mm)	W (mm)	L2 (mm)	C (mm)	A (mm)	Ød (mm)	s (mm)	T (mm)
MTG1438	67.5	30.0	25.0	36.0	51.5	19.5	6.3	2.5	8.0
MTG1439	67.5	30.0	25.0	36.0	51.5	19.5	6.3	2.5	10.0

Compression Characteristics

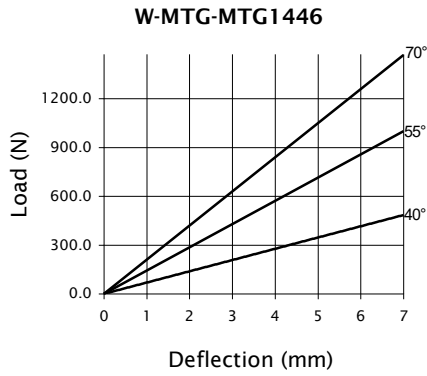
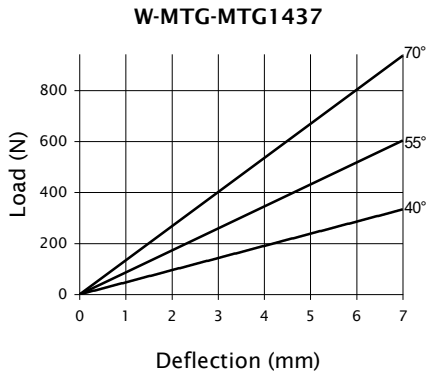


Note: There is a possible deviation of ±20% in the above load/deflection graphs due to production and hardness tolerances

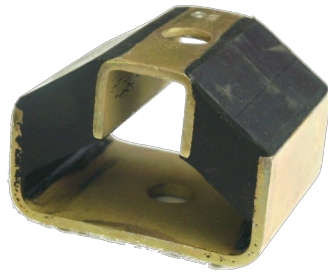


Part No.	L1 (mm)	H (mm)	W (mm)	L2 (mm)	C (mm)	ØD (mm)	Ød (mm)	s (mm)	T (mm)
MTG1437	135.0	30.0	25.0	72.0	119.0	8.4	6.3	2.5	8.0
MTG1446	135.0	30.0	25.0	72.0	119.0	8.4	6.3	2.5	10.0

Compression Characteristics



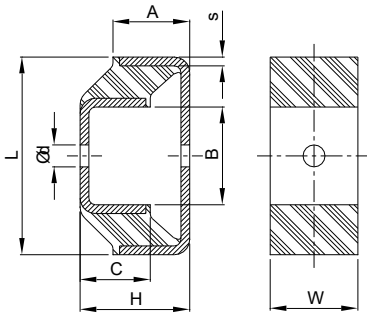
Note: There is a possible deviation of $\pm 20\%$ in the above load/deflection graphs due to production and hardness tolerances



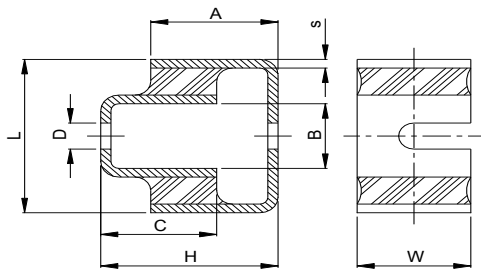
U Mounting

A range of sizes is available with many held in stock. Due to their design, the parts can be loaded in any of the three planes—vertical shear, horizontal shear and horizontal compression, and allow relatively high deflections to be achieved.

Dimensions



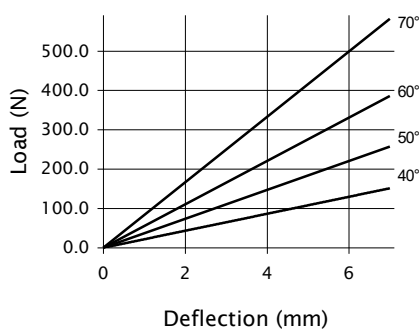
Part No.	L (mm)	H (mm)	W (mm)	Ød (mm)	A (mm)	B (mm)	C (mm)	s (mm)
U-MTG1470	90.0	50.0	20.0	10.0	35.0	44.5	32.0	4.0
U-MTG1506	90.0	50.0	40.0	10.0	35.0	44.5	32.0	4.0
U-MTG1246	60.0	42.0	50.0	10.5	30.0	17.0	19.0	3.0



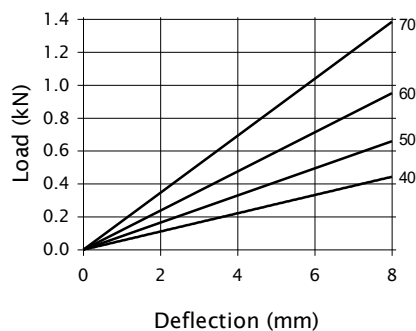
Part No.	L (mm)	H (mm)	W (mm)	D (mm)	A (mm)	B (mm)	C (mm)	s (mm)
U-MTG1471	71.0	62.0	25.0	11.0	41.5	26.4	38.0	4.0
U-MTG1472	79.5	78.0	50.0	13.5	56.0	33.5	51.0	4.5
U-MTG1473	87.0	108.0	65.0	17.5	83.0	38.4	76.0	5.0
U-MTG1474	100.0	130.0	80.0	17.5	100.0	48.0	90.0	6.0

Compression Characteristics

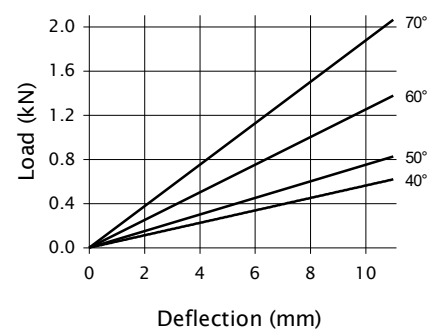
U-MTG-MTG1471



U-MTG-MTG1246



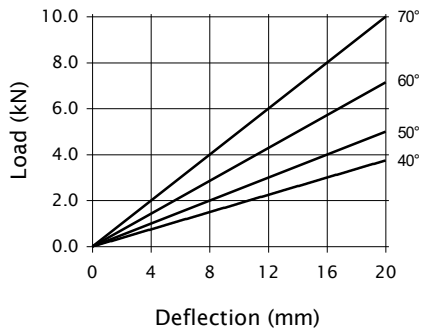
U-MTG-MTG1472



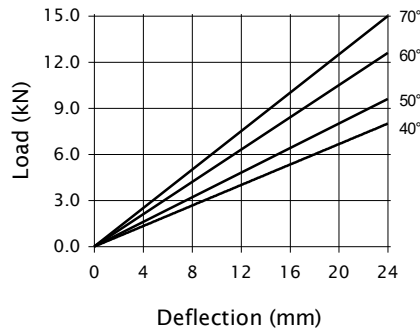
Note: There is a possible deviation of ±20% in the above load/deflection graphs due to production and hardness tolerances

Compression Characteristics

U-MTG-MTG1473



U-MTG-MTG1474



Note: There is a possible deviation of $\pm 20\%$ in the above load/deflection graphs due to production and hardness tolerances