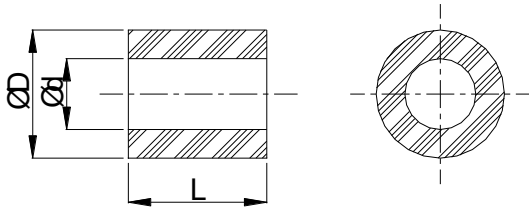




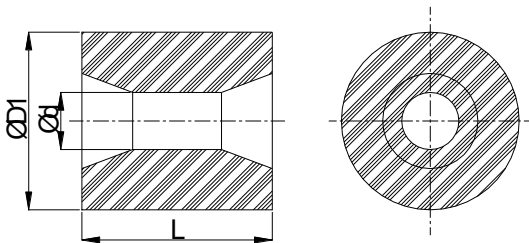
## Rubber Products

Various rubber products can be manufactured to meet customers' specifications, either from existing or new tooling, and in a range of rubber compounds to suit the individual application. Minimum order quantities usually apply.

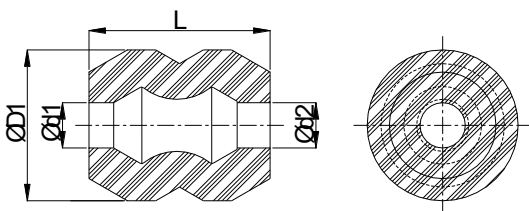
### Dimensions



Part No.	ØD1 (mm)	Ød (mm)	L (mm)
RUBBER-R1993	45.85	25.35	49.5
RUBBER-R1988	66.7	25.4	50.8

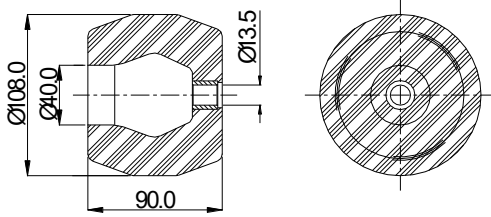


Part No.	ØD1 (mm)	L (mm)	Ød (mm)
RUBBER-R2185	140.0	125.0	60.0
RUBBER-R2084	140.0	150.0	45.0

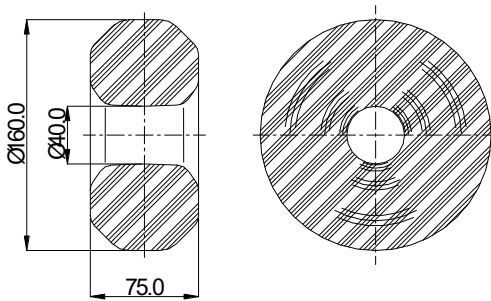


Part No.	ØD1 (mm)	L (mm)	Ød1 (mm)	Ød2 (mm)
HOLLOW-R2188	110.0	132.0	33.0	33.0
HOLLOW-R2063	110.0	132.0	33.0	25.5

## HOLLOW-R2062



## RUBBER-R1668



## RUBBER-R1667

