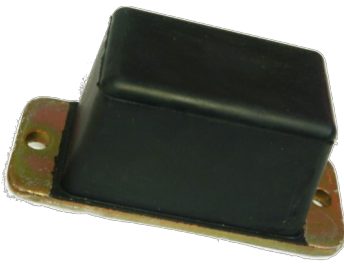
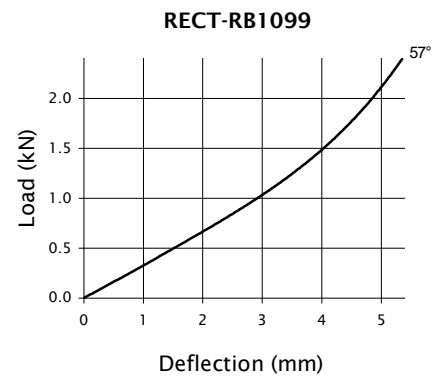
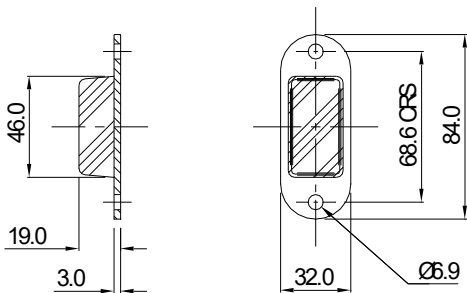


Rectangular Buffers

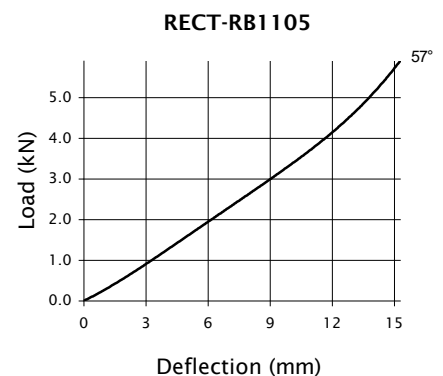
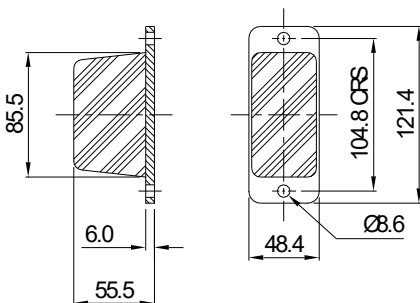


These parts are designed for impact protection. A range of sizes is available with many held in stock. Some styles are subject to minimum order quantities. Alternatively rectangular buffers can be manufactured from rail in a wide range of sizes.

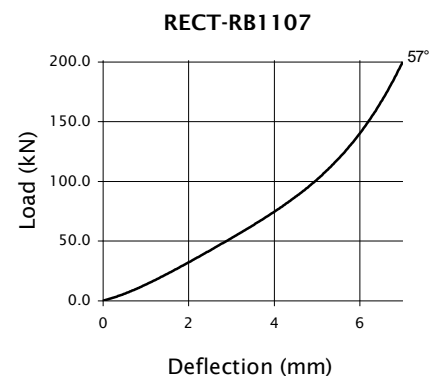
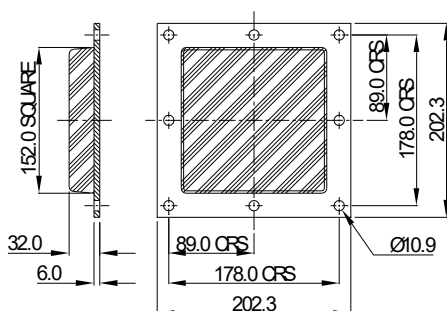
RECT-RB1099



RECT-RB1105

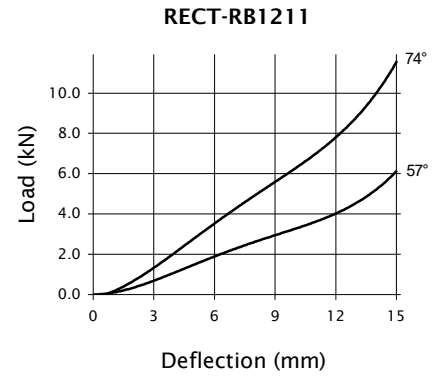
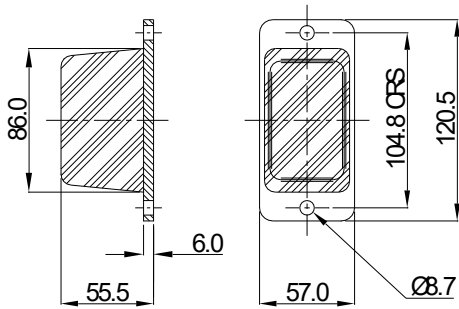


RECT-RB1107

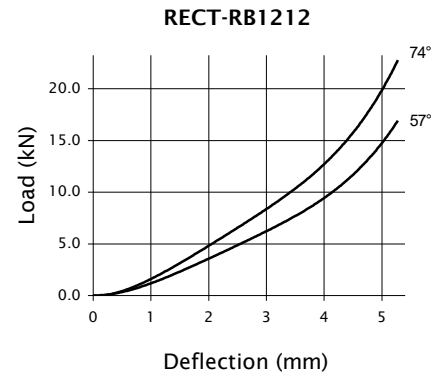
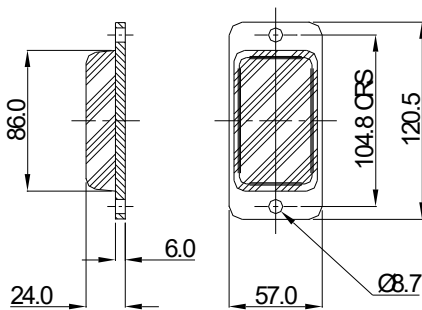


Note: There is a possible deviation of $\pm 20\%$ in the above load/deflection graphs due to production and hardness tolerances

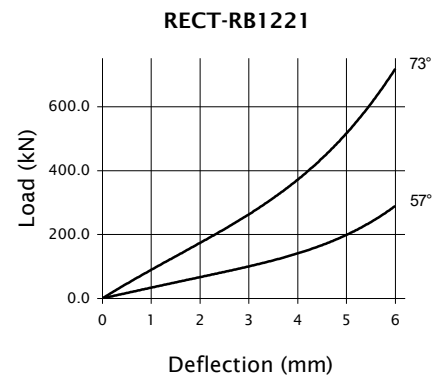
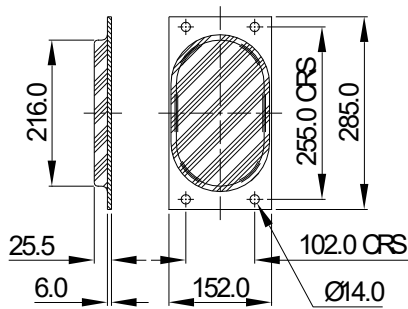
RECT-RB1211



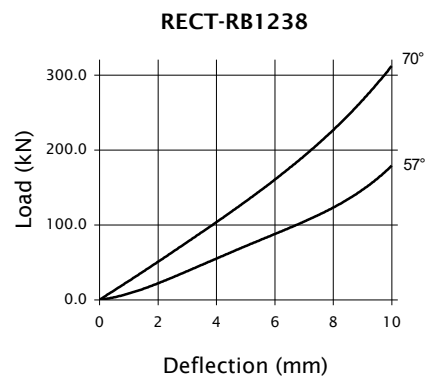
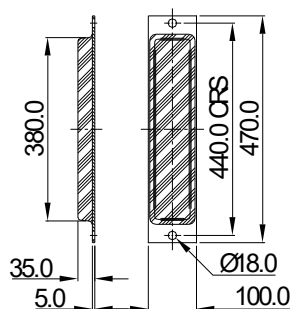
RECT-RB1212



RECT-RB1221



RECT-RB1238



Note: There is a possible deviation of ±20% in the above load/deflection graphs due to production and hardness tolerances

Rectangular Buffers Cut From Rail

It is possible to manufacture Rectangular Buffers from Rail as illustrated. The rail can be supplied as manufactured in 2 metre lengths, or can be cut and drilled to meet the customer's individual requirement. This process has the added advantage that no tooling is normally required

