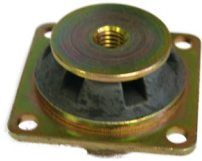
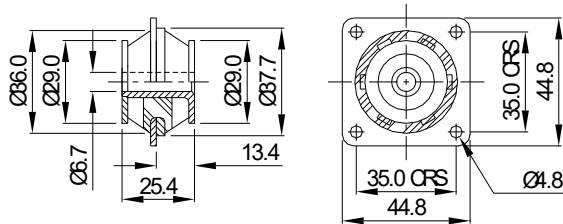


MF Mountings

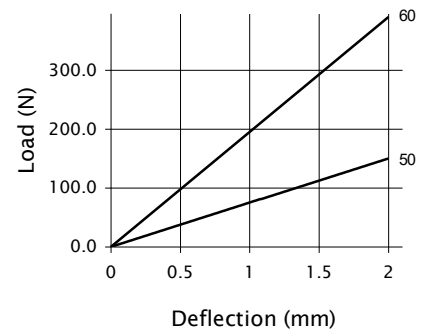


A number of sizes and styles are available from existing tooling. Some parts may be available from stock although they are normally manufactured to meet customers' requirements.

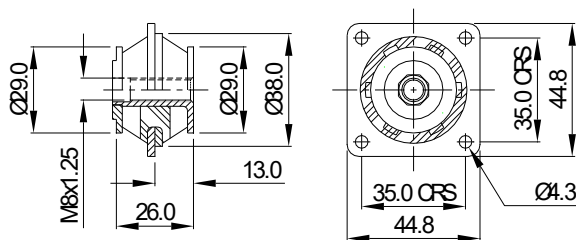
MF-MTG1371



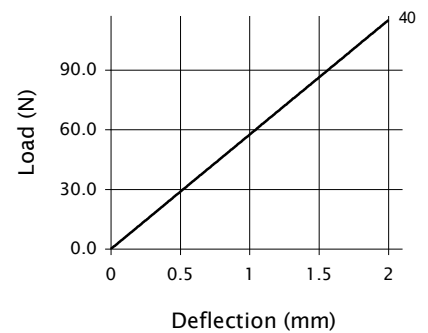
MF-MTG1371 - AXIAL



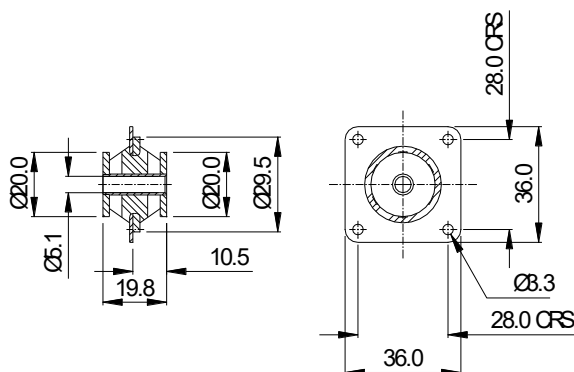
MF-MTG1751



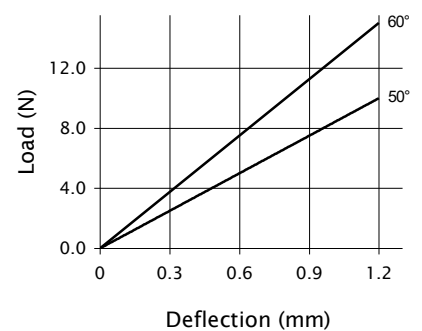
MF-MTG1751 - AXIAL



MF-MTG2199

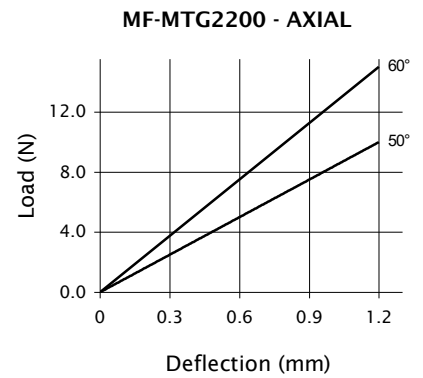
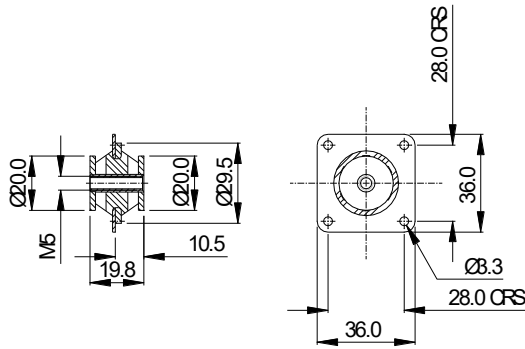


MF-MTG2199 - AXIAL



Note: There is a possible deviation of $\pm 20\%$ in the above load/deflection graphs due to production and hardness tolerances

MF-MTG2200



Note: There is a possible deviation of $\pm 20\%$ in the above load/deflection graphs due to production and hardness tolerances